



BW-11229-3"-10W

Technical Parameters

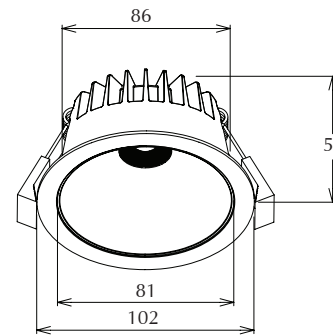
Light Source	Edison COB LED
Power	10W
CCT	2700K/3000K/4000K/5000K/5700K
CRI	≥80
Lumen	920-1080lm
Input Voltage	AC220-240V 50Hz
Beam Angle	36°/60°
Material	PMMA
Finishing Color	White RAL 9016 / Black RAL9005
Dimension	Ø102*51mm cutout Ø90-95mm
Power Factor	≥0.85
Lifespan	50000h
IP Rating	IP54
Driver	Standard/dimmable
Dimming	Triac Dimmers
Mounting	Recessed Ceiling
Operating Temperature	-20°C~+45°C

Features

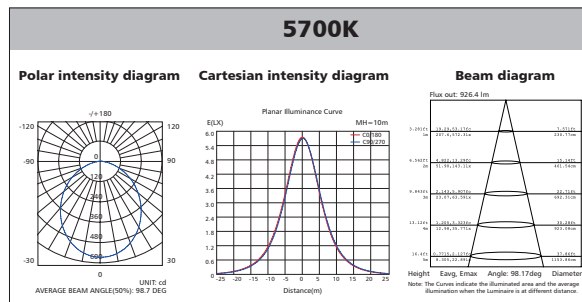
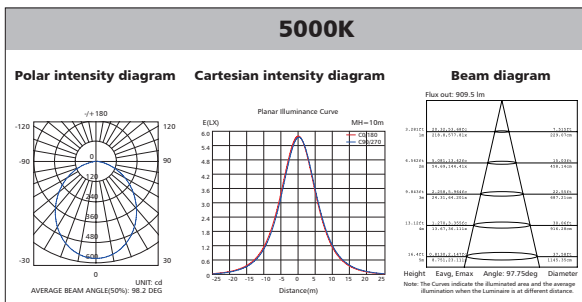
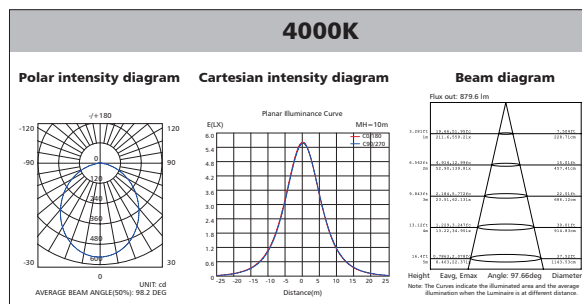
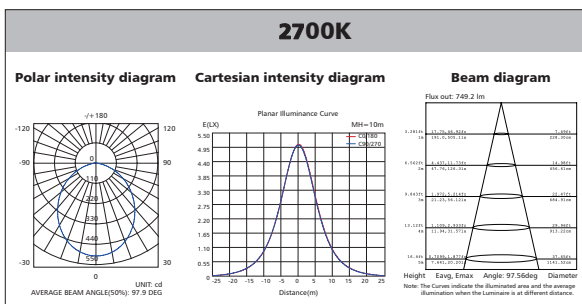
- Slim design (51 mm thickness), suitable for narrow ceiling
- Adopts COB LED, ensure the uniform lighting output
- 36°/60°beam angle
- Body made of die cast aluminium
- External flicker free driver.
- Aluminium die-casting heatsink provides excellent thermal dissipation.

Dimension

Unit:mm



Photometric Diagram



LED DOWN LIGHT

Driver Datasheet(Non-dimmable)

Power		10W
Output	Output Voltage range	DC28-40V
	Rated output current	230mA
	Line Regulation	±5%
	Setup, Rise Time	<0.5S
	Flickering Index	<7%(LOW RISK)
Input	Input Voltage	AC220-240V
	Rated Input Voltage(V)	AC230V
	Frequency	50HZ
	Input Current	0.06
	Rated Input Current	≤0.05A
	Power Factor	0.85
	THD	<30% @230V
	Efficiency	80%
	No load wattage	≤0.5W
Protection	Short circuit protection	Pass
	Over voltage protection	Pass
	Over temperature protection	Pass
Safety &EMC	Withstand voltage	O/P-FG:0.5KVac,<5mA 60S
	Isolation Resistance	I/P-O/P: 500VDC, ≥100M Ω
	Surge	IEC/EN61000-4-5(P<25W; L-N:500V
	EMC Emission	EN55015, EN61000-3-2
	EMC Immunity	EN61000-4-2,3,4,5,6,8,11; EN61547

Driver Datasheet(Triac Dimmable)

Power		10W
Output	Output Voltage range	DC23-38V
	Rated output current	215mA
	Line Regulation	±5%
	Setup, Rise Time	<0.5S
	Flickering Index	<7%(LOW RISK)
Input	Input Voltage	AC200-240V
	Rated Input Voltage(V)	AC230V
	Frequency	50HZ
	Input Current	0.06
	Rated Input Current	≤0.05A
	Power Factor	0.85
	THD	-
	Efficiency	75%
	No load wattage	≤0.5W
Protection	Short circuit protection	Pass
	Over voltage protection	Pass
	Over temperature protection	Pass
Safety &EMC	Withstand voltage	O/P-FG:0.5KVac,<5mA 60S
	Isolation Resistance	I/P-O/P: 500VDC, ≥100M Ω
	Surge	IEC/EN61000-4-5(P<25W; L-N:500V
	EMC Emission	EN55015, EN61000-3-2
	EMC Immunity	EN61000-4-2,3,4,5,6,8,11; EN61547

Installation Procedure

- Switch off before installation.
- Switch on only after complete installation and examination of the circuit.
- Professional electrician for installation and maintenance only.

Turn Off power supply before starting any installation. Read instructions & check you have all the tools & accessories to complete the installation correctly.

Downlight with external driver

