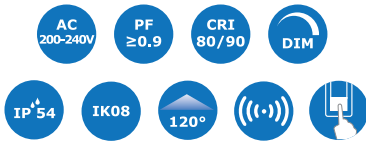




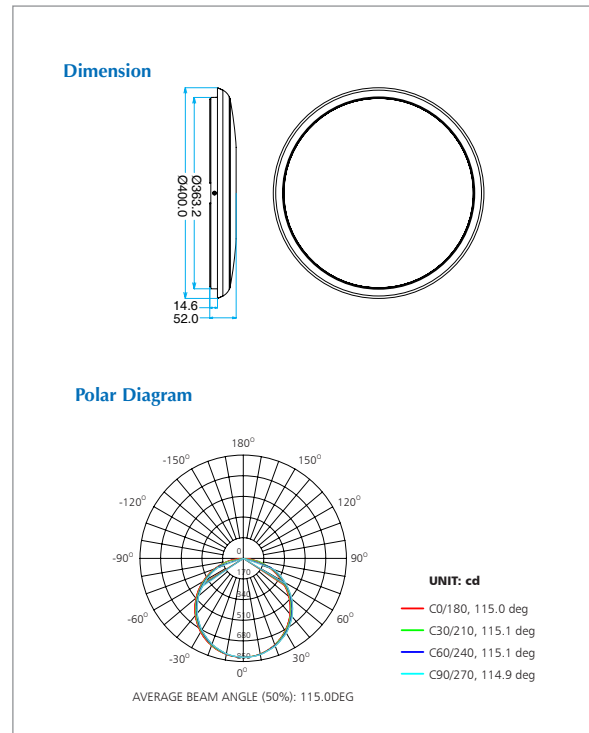
EMC EN 55015 / EN 61547 / EN 61000-3-2 / EN 61000-3-3
 LVD EN 60598-2-1 / EN 60598-1 / EN 62493 / EN 62471 / EN 62031



BW-1173-16"-30W

Technical Parameters

Light Source	Samsung SMD LED
Power	30W
CCT	3000K, 4000K, 5000K, 5700K
Lumen	2760-3090lm
CRI	≥80
Input Voltage	AC200-240V 50Hz
Beam Angle	120°
Finishing Color	White/Silver
Dimension	Ø400*52mm
Power Factor	>0.9
Lifespan	50000h
IP Rating	IP54
IK Rating	IK08
Driver	Standard/Dimmable
Dimming	Triac Dimmers
Mounting	Surface Ceiling
Operating Temperature	-20°C~+45°C



Photometric Diagram

